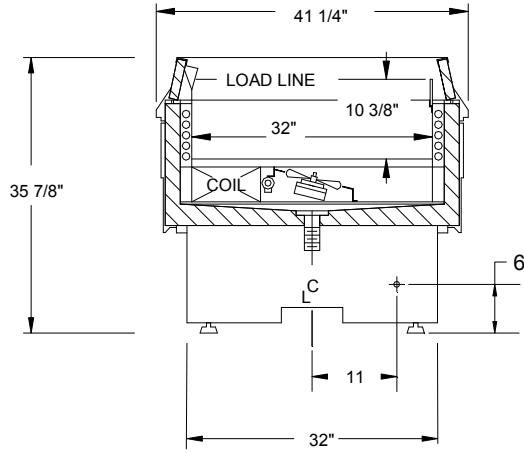
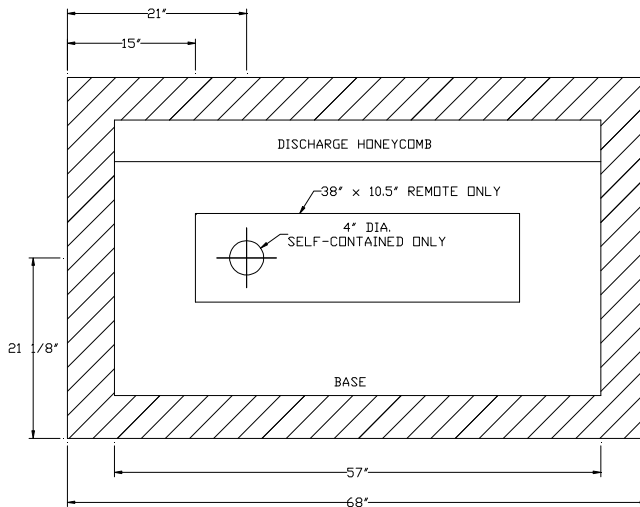


CASE DATA AMPS	LD1C-5'
Anti-Sweat	1.62
STD Fan / # of Motors	0.52/1
PSC Fan / # of Motors	0.26/1
ECM Fan / # of Motors	0.24/1
Defrost Heater	7.8
Refrigeration Cycle	14.94
Cubic Capacity	11.5
Compressor RLA	9.8
Condensate Pan Heater	2.5
Condenser Fan Motor	0.5
Minimum Circuit	17.25
Maximum OCP	20
Refrigerant	R404A
All electrical data based on 115V.	



DEFROST CONTROLS			
Defrost	Per Day	Fail Safe	Termination
Off Cycle (med. temp only)	3	40 min	55°F
Electric	3	40 min	55°F



Note: Installation & Operation Manual for this model contains detailed information regarding this case.

Type I refrigerator, intended for use in an area where the environmental conditions are controlled and maintained such that conditions do not exceed 75°F and 55% relative humidity. Kysor/Warren®, whose policy is one of continuous improvement, reserves the right to change at anytime, specifications, design or prices without incurring obligation. Dual-Jet® and Air Defrost® are registered trademarks of Kysor/Warren®.

BTUH per FT	
STD Fan	724
PSC Fan	714
ECM Fan	703

CAPACITIES		
Facing Area	13.12 ft ²	
Cubic Capacity	10.2 ft ³	
Evap Temp	Discharge Air Velocity (1 hr. after defrost)	Discharge Air Temp
-25°F	300 FPM	-17°F
+20°F	300 FPM	+29°F



The above case model, has case lengths that are UL and NSF approved.

Kysor/Warren
5201 Transport Blvd
Columbus, GA 31907

800-866-5596 phone
706-568-8990 fax

www.kysorwarren.com

Issue: 6.30.2011

A proud partner of



Applications:



LD1C - Self Contained - 5 FT

Specification Sheet